

FISHER & PAYKEL

SINGLE DISHDRAWER™ DISHWASHER

DD60SI, DD60STI, DD60SLI,
DD60SHI & DD60SHTI models

INSTALLATION GUIDE

NZ AU GB IE SG

591383C 05.19

⚠ WARNING!



Electrical shock hazard
 Before installing the dishwasher, remove the house fuse or open the circuit breaker. This appliance must be earthed. In the event of a malfunction or breakdown, earthing will reduce the risk of electric shock by providing a path of least resistance for electric current. This appliance is equipped with a cord having an equipment-earthing conductor and an earthing plug. The plug must be plugged into an appropriate outlet that is installed and earthed in accordance with all local codes and ordinances.

WARNING- Improper connection of the equipment-earthing conductor can result in a risk of electric shock. Check with a qualified electrician or service representative if you are in doubt as to whether the appliance is properly earthed.
 Do not modify the power supply plug provided with the appliance - if it will not fit the outlet, have a proper outlet installed by a qualified electrician. Do not use an extension cord, adapter plug or multiple outlet box.
 Failure to follow this advice may result in electrical shock or death.

⚠ WARNING!



Fitting integrated front panels requires access to electrical service areas.
 This work must be performed and certified by a qualified electrical service technician.

Electrical Shock Hazard
WARNING: To reduce the risk of electrical shock, fire, or injury to persons, the installer must ensure that the dishwasher is completely enclosed at the time of installation. Before fitting the front panels and connecting the integrated badges (where present), the installer must ensure that the dishwasher is disconnected from the power supply. After installing the front panels, the installer must ensure that the following components are electrically earthed: the panel bracket, the integrated badge (where present) and any custom metal component (eg handle) that extends past the rubber seal. Failure to follow these warnings may result in electrical shock, injury or fire.

⚠ WARNING!



Cut Hazard
 Take care - panel edges are sharp. Failure to use caution could result in injury or cuts.

IMPORTANT SAFETY INSTRUCTIONS

- Installation of this dishwasher requires basic mechanical and electrical skills.
- Be sure to leave these Instructions with the Customer.
- Installation must comply with your local building and electricity regulations.
- At the completion of the dishwasher installation, the Installer must perform the Final Checklist.
- Remove all packaging materials supplied with the dishwasher.
- This dishwasher is manufactured for indoor use only.
- Ensure all water connections are turned OFF. It is the responsibility of the plumber and electrician to ensure that each installation complies with all Codes and Regulations.
- The dishwasher **MUST** be installed to allow for future removal from the enclosure if service is required.
- The switched power outlet must be outside the dishwasher cavity, so that it is accessible after installation.
- Care should be taken when the appliance is installed or removed to reduce the likelihood of damage to the power supply cord and hoses.
- If the dishwasher is to be relocated from one installation to another it must be kept upright to avoid damage from water spillage.
- Make sure only new hoses are used for connection (supplied with the dishwasher). Old hoses should not be reused.
- Failure to install the dishwasher correctly could invalidate any warranty or liability claims.

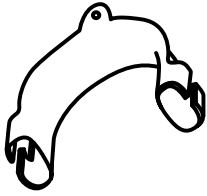
IMPORTANT SAFETY INSTRUCTIONS

- Ensure the product is not plugged in when fitting custom panels.
- Installation of custom panels requires basic mechanical and electrical skills.
- Installation must comply with your local building and electricity regulations.
- Failure to install the custom panels correctly could invalidate any warranty or liability claims.

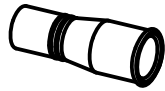
IMPORTANT! SAVE THESE INSTRUCTIONS

The models shown in this installation guide may not be available in all markets and are subject to change at any time. For current details about model and specification availability in your country, go to our website www.fisherpaykel.com or contact your local Fisher & Paykel dealer.

② PARTS SUPPLIED



Drain hose support (1)



Drain hose joiner (1)



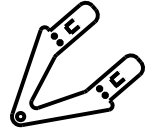
Wire clip (1)
(for securing Drain hose joiner)



Clamp (1)
(for securing Drain hose joiner)



Side mounting bracket kit (A and B) (2)
OPTIONAL



Top mounting brackets (2)
OPTIONAL



Phillips 16 mm screws (7)



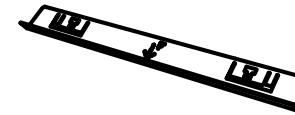
38 mm bottom fixing screws & metal washers (2)



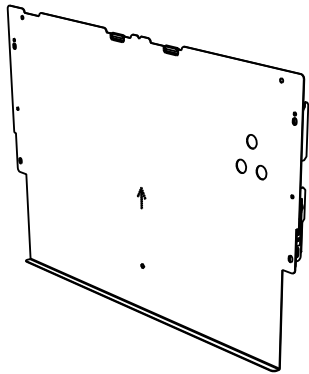
Rubber washer for inlet hose (1)
(comes already fitted)



Moisture protection tape (1)
(to prevent moisture damage to cabinetry)



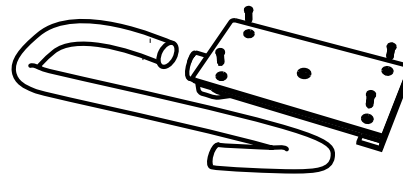
Cavity Bracket Kit (1)
(supplied with Tall Height Models only)



Panel bracket (1) & Knock-to-Pause Module (1)
(shipped fixed to product)



Panel mounting screws (6)



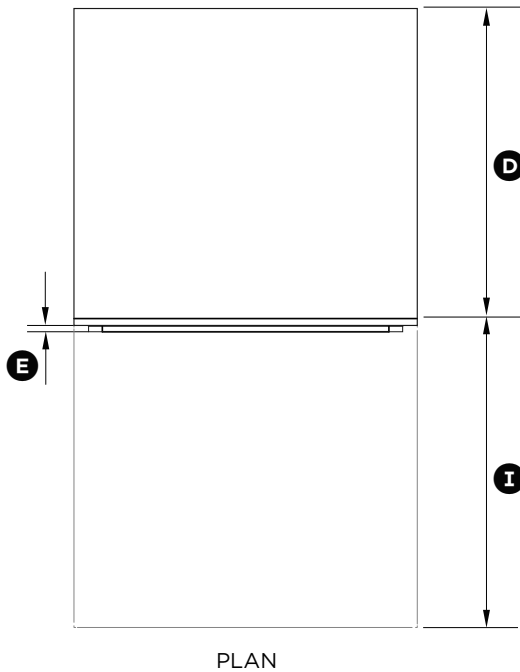
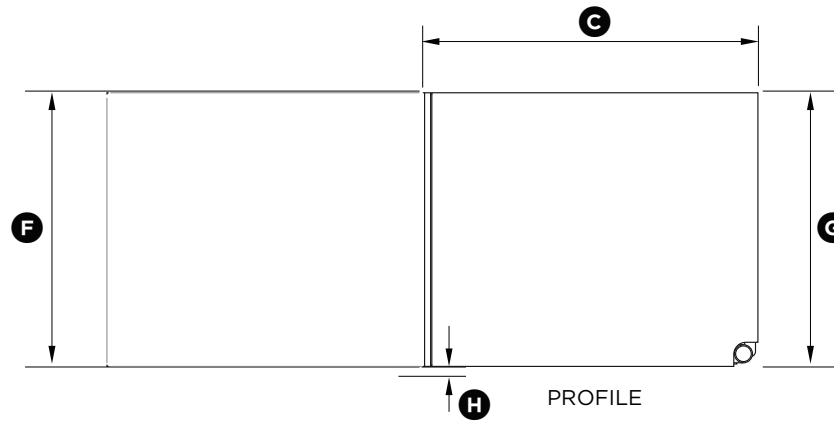
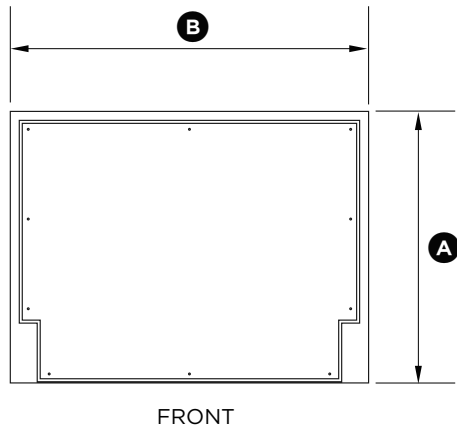
External Venting kit (1)
(Excludes DD60SLI9 models)

Dishdrawer™ installation overview

This video provides an overview of what is needed to install a DishDrawer™. It is intended as an overview only of the installation process and is not intended to be used as a guide on how to install a DishDrawer™ yourself. <https://vimeo.com/325297597>

If the Drain hose supplied is not long enough to reach your services, you must use a Drain Hose Extension Kit P/N 525798 which will extend the drain hose by 3.6 m. The kit is available from the nearest Fisher & Paykel Authorised Service Centre or our local website listed at the end of this document.

3 PRODUCT DIMENSIONS



PRODUCT DIMENSIONS	STANDARD HEIGHT	STANDARD HEIGHT	TALL HEIGHT (Installed in a 18" (456mm) high cavity)	TALL HEIGHT (Installed in a 18 7/8" (480mm) high cavity)
	DD60SLI	DD60SI DD60SHI	DD60STI DD60SHTI	DD60STI DD60SHTI
	MM	MM	MM	MM
(A) Overall height of product ¹	410	410	454	478 ²
(B) Overall width of product	599	599	599	599
(C) Overall depth of product ³	571	571	571	571
(D) Depth of chassis (to back of front drawer panel)	553	553	553	553
(E) Depth of drawer front panel	16-20	16-20	16-20	16-20
(F) Height of drawer front panel	min. 402	min. 408 ⁴	min. 452 ⁵	min. 476 ⁵
(G) Height of chassis ¹	410	410	454	454
(H) Ventilation gap below drawer front panel	min. 8	min. 2	min. 2	min. 2
(I) Maximum extension of drawer ³	545	545	545	545

¹ includes 2mm high bracket slots

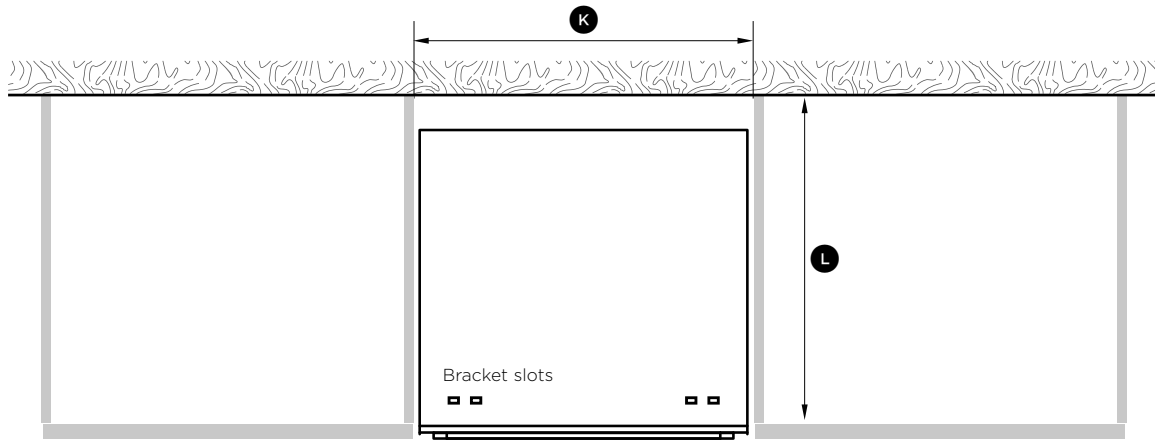
² includes fitted cavity bracket

³ assuming a front panel thickness of 18mm

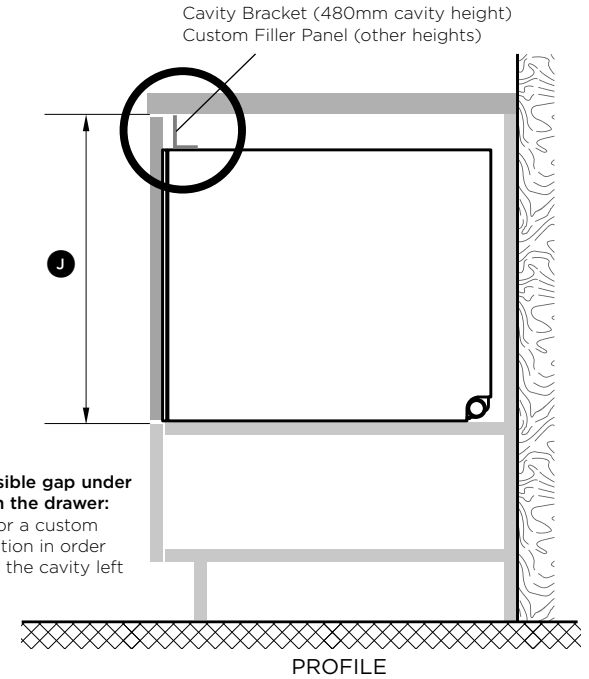
⁴ recommended for a 2mm ventilation gap below panel, if cavity height is 412mm

⁵ recommended for a 2mm ventilation gap below panel

④ CABINETY DIMENSIONS



PLAN



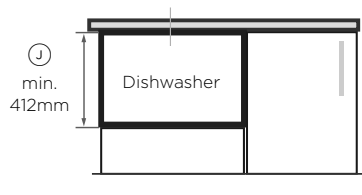
TALL HEIGHT MODELS ONLY
If your cavity height leaves a visible gap under your countertop when you open the drawer:
 Fit the supplied cavity bracket (or a custom cavity filler panel) before installation in order to conceal any gap at the top of the cavity left after installation.

	STANDARD HEIGHT	TALL HEIGHT (Installed in a 456mm high cavity)	TALL HEIGHT (Installed in a 480mm high cavity)
	DD60SI DD60SHI DD60SLI	DD60STI DD60SHTI	DD60STI DD60SHTI

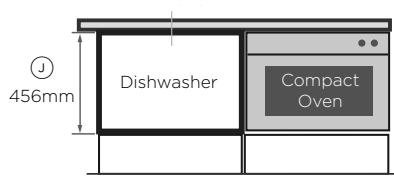
CABINETY DIMENSIONS	MM	MM	MM
ⓐ Inside height of cavity	min. 412	456	480
Ⓚ Inside width of cavity	600	600	600
Ⓛ Inside depth of cavity	min. 560	min. 560	min. 560

Cavity height options allow you to match dishwasher with your cabinetry or companion products

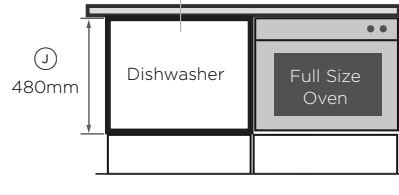
DD60SI, DD60SLI, DD60SHI
 STANDARD HEIGHT INTEGRATED MODEL



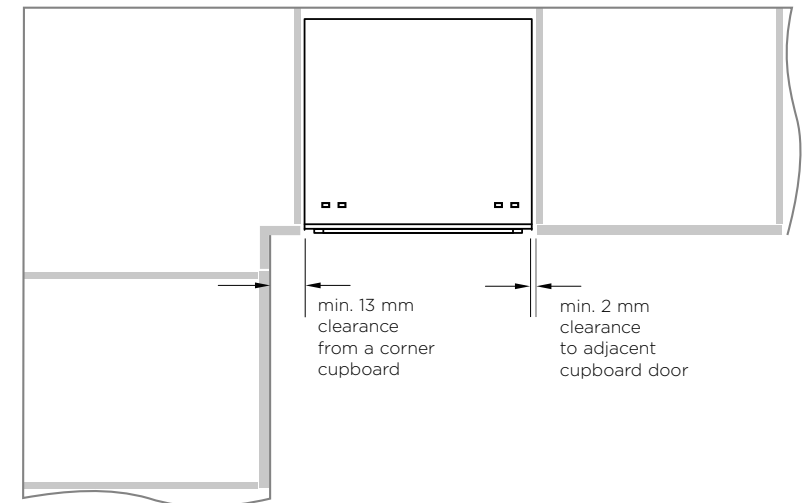
DD60STI, DD60SHTI
 TALL HEIGHT INTEGRATED MODEL
 (Installed in a 456mm high cavity)



D60STI, DD60SHTI
 TALL HEIGHT INTEGRATED MODEL
 (Installed in a 480mm high cavity)



Minimum clearances from adjacent cabinetry



5 CUSTOM DRAWER PANEL CALCULATIONS

FRONT PANEL MATERIAL SPECIFICATIONS

- 16 - 20mm panel thickness
- Adequately sealed to withstand moisture (50°C @ 80% RH)
Because of it being a hot and wet environment generally, the back and sides of the panel should be completely sealed with a waterproof vapour barrier (ie polyurethane) to prevent damage to the panel.
- The back of the panel (including any integrated handle) should be completely flush so that the seal between the panel and the rubber trim is maintained.
- Installation outside these specs may result in condensation on cabinetry surfaces.
- Maximum weight of panel: 9kg

The following calculations assume the top of the upper panel is aligned with the top of the adjacent cabinetry.

WIDTH OF THE PANEL

Measure **A** (the width between adjacent door/drawer fronts) and write it in the first box below, then complete the equation.

	Clearance to adjacent cabinet front A		WIDTH OF PANEL	
✍	<div style="border: 1px solid black; width: 50px; height: 20px; margin: 0 auto;"></div> - 2x <div style="border: 1px solid black; width: 40px; height: 20px; margin: 0 auto;"></div> (min. 2mm)	=	<div style="border: 1px solid black; width: 60px; height: 20px; margin: 0 auto;"></div> (596 - 615mm)	

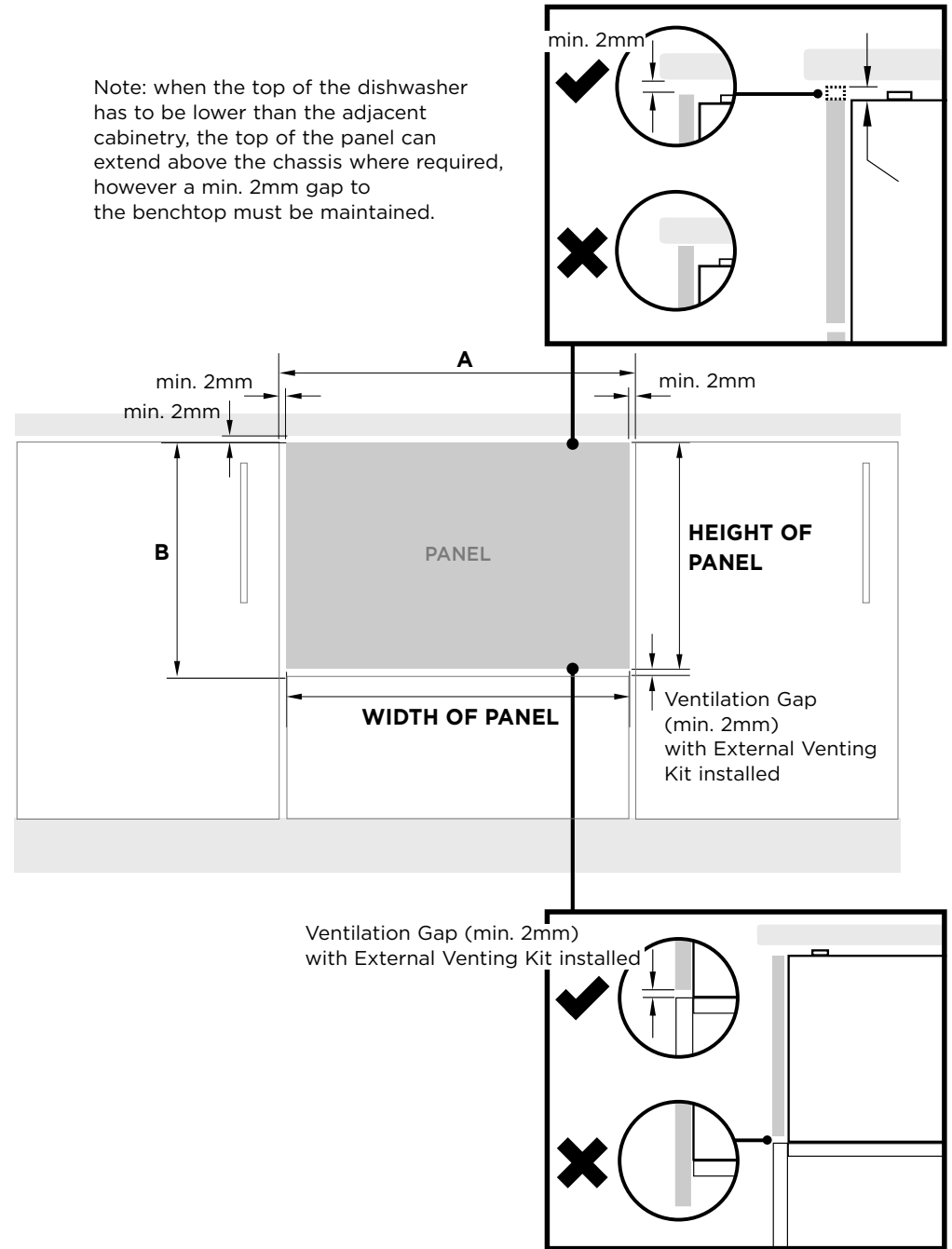
HEIGHT OF THE PANEL

	Ventilation Gap B		HEIGHT OF PANEL	
✍	<div style="border: 1px solid black; width: 50px; height: 20px; margin: 0 auto;"></div> - <div style="border: 1px solid black; width: 40px; height: 20px; margin: 0 auto;"></div> (min. 2mm)	=	<div style="border: 1px solid black; width: 60px; height: 20px; margin: 0 auto;"></div>	

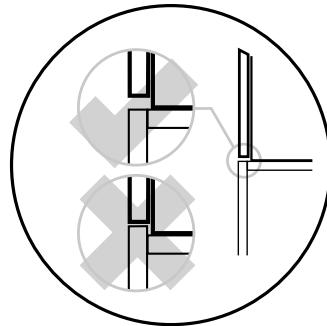
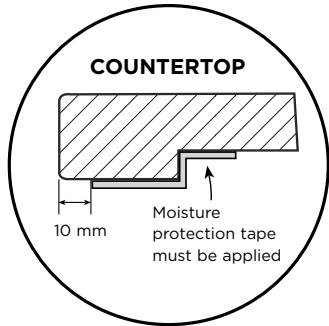
DD*SLI9 models only:

This model is installed conventionally without an External Venting Kit. Therefore, the Ventilation Gap below the product in all calculations is min. 8mm.

Note: when the top of the dishwasher has to be lower than the adjacent cabinetry, the top of the panel can extend above the chassis where required, however a min. 2mm gap to the benchtop must be maintained.



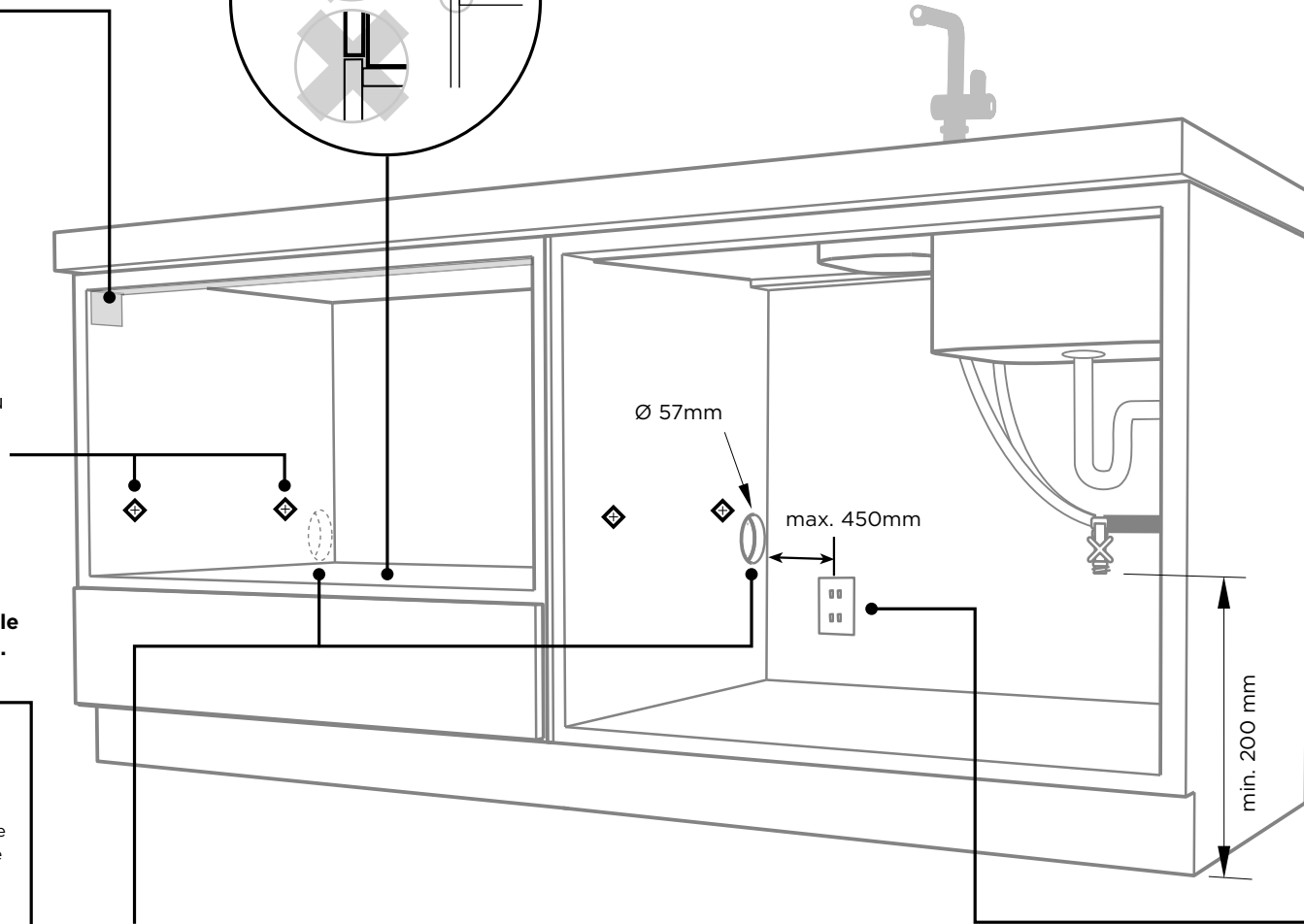
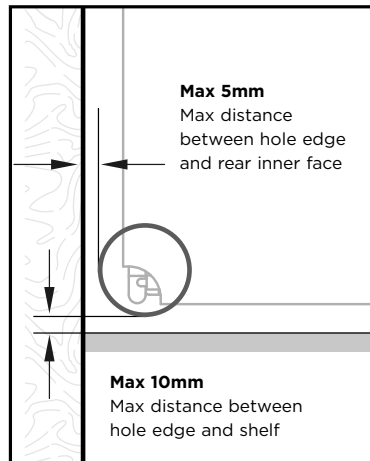
6 CAVITY PREPARATION



These marks indicate formed bracket screw locations, if securing by drawer removal.

If there is no side partition, you can construct timber bracing as something to secure into.

WARNING!
Incorrect placement of the hole will result in damage to hoses.



Service Holes

Can be located either side of dishwasher, close to the rear face and the shelf, as illustrated.

- If the hole is through wood, make sure its edges are smooth and rounded.
- If the hole is through metal, ensure you fit the supplied Edge Protector to prevent damage to the power cord.

Water Connection

Recommended **COLD**
(Maximum 60°C).

3/4" BSP (GB20) to suit flat washer.

Water Pressure

Water softener models

Max. 1 MPa (145 psi)
Min. 0.1 MPa (14.5 psi)

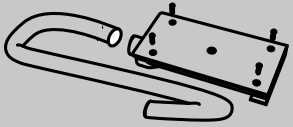
Models without water softener

Max. 1 MPa (145 psi)
Min. 0.03 MPa (4.3 psi)

IMPORTANT!
The power outlet must be located in a cabinet adjacent to the dishwasher cavity.
220-240 VAC min. 4.8 A

7 PREPARATION FOR EXTERNAL VENTING THROUGH SAME CABINET

External Venting Kit (Excludes DD60SLI9 models)

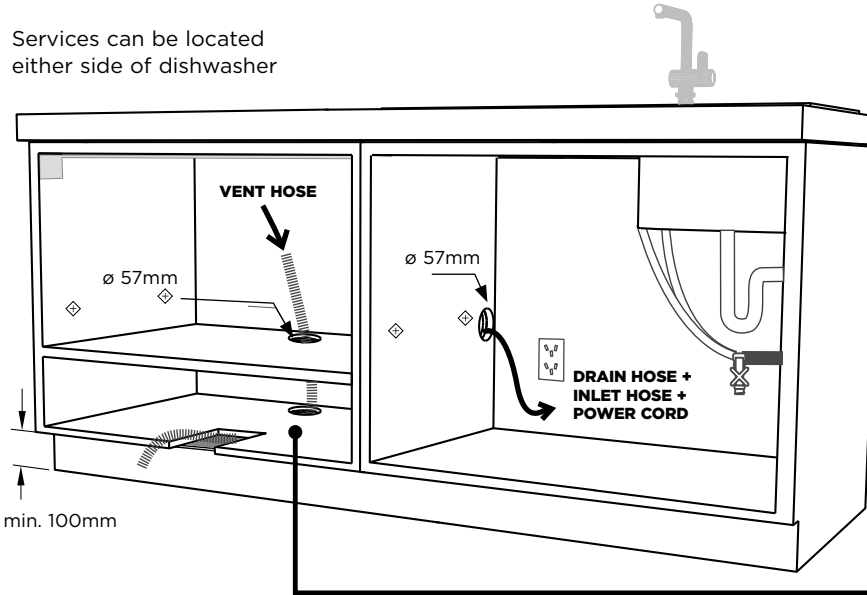


IMPORTANT!

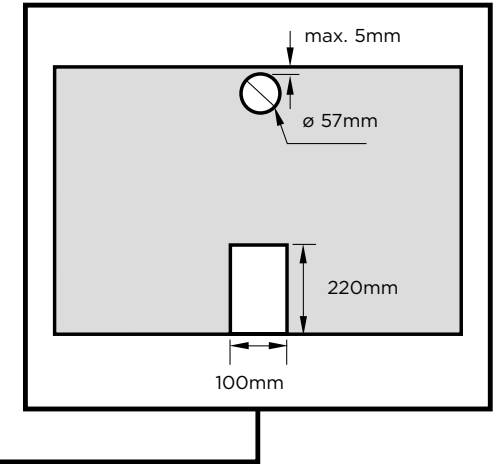
To prevent pooling of condensation from the vent hose, a toe-kick height of no less than 100mm is required.

Services hole

- If the hole is through wood, make sure its edges are smooth and rounded.
- If the hole is through metal, ensure you fit the supplied Edge Protector to prevent damage to the power cord.



Shelf cutouts



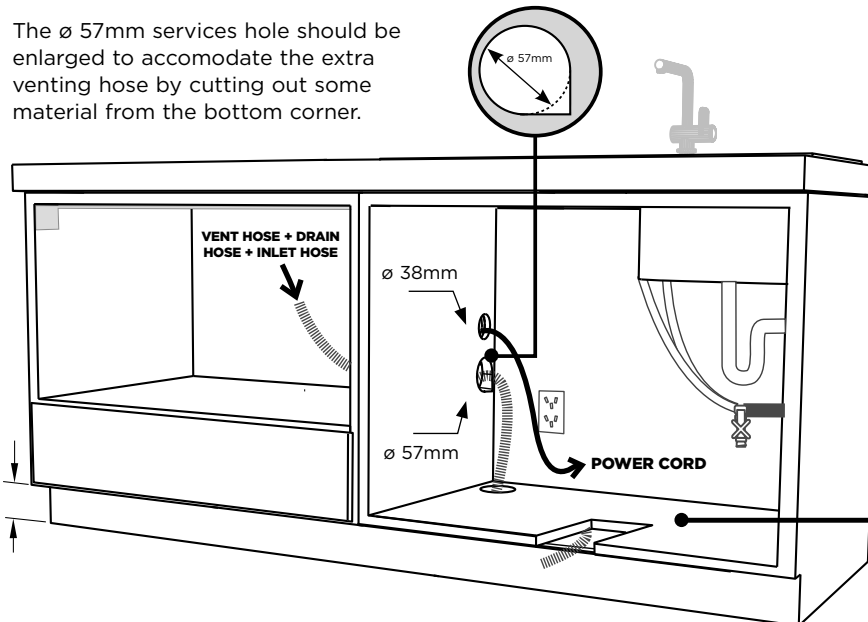
8 PREPARATION FOR EXTERNAL VENTING THROUGH ADJACENT CABINET

IMPORTANT!

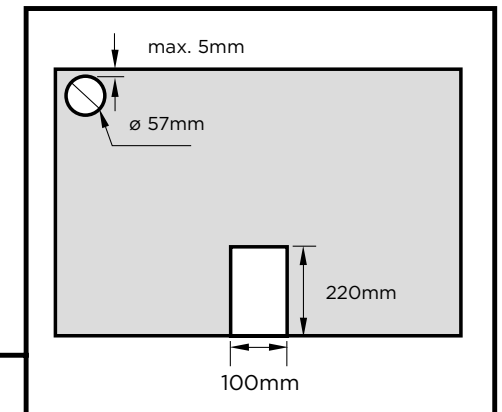
To prevent pooling of condensation from the vent hose, a toe-kick height of no less than 100mm is required.

Services hole

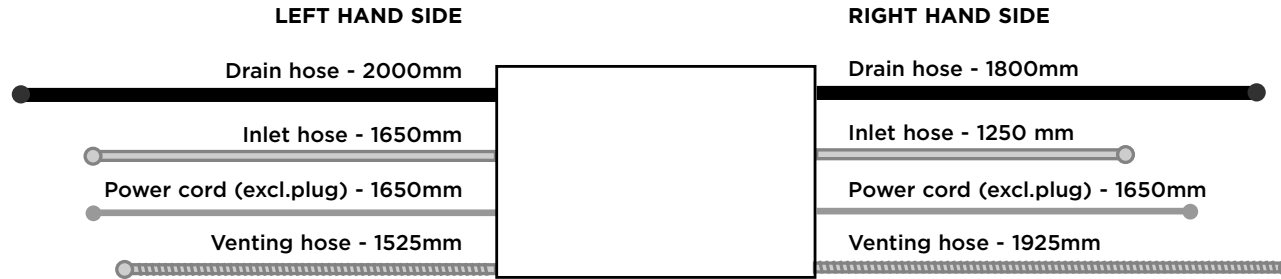
- If the hole is through wood, make sure its edges are smooth and rounded.
- If the hole is through metal, ensure you fit the supplied Edge Protector to prevent damage to the power cord.



Shelf cutouts



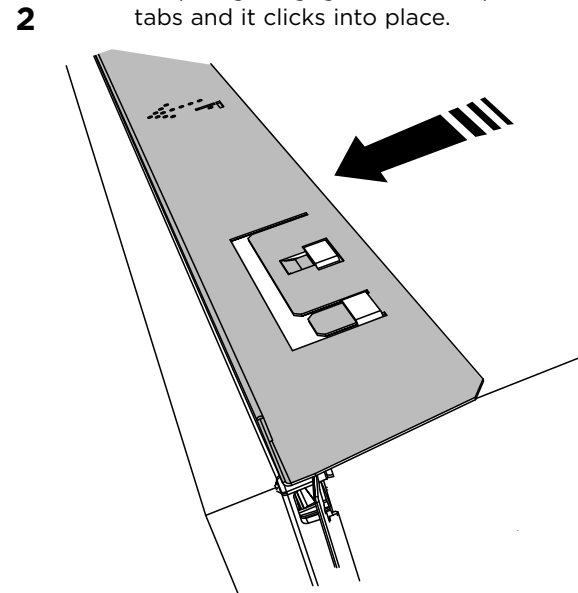
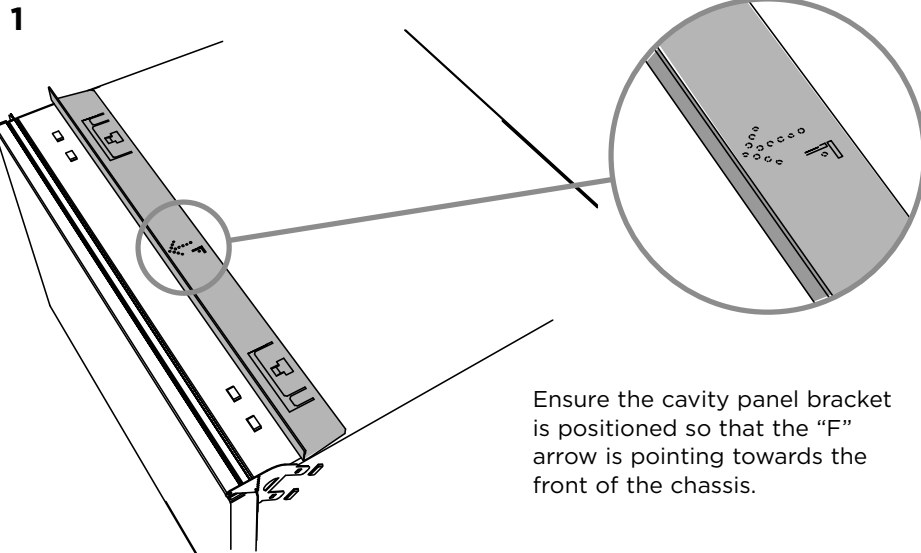
8 MAXIMUM DISTANCE OF HOSES & CORD FROM CHASSIS EDGE



9 TALL HEIGHT INTEGRATED MODELS FOR 480 MM CAVITY ONLY - ATTACH CAVITY BRACKET

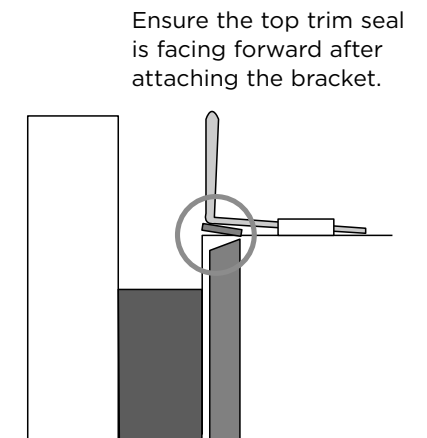
IMPORTANT!

The enclosed cavity bracket is fitted before installation in order to conceal the gap at the top of the cavity left after installation.



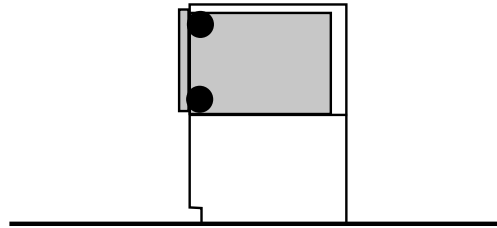
IMPORTANT!

Ensure the prongs have not been driven down into the chassis as this will damage the lid below.



**NOW CHOOSE WHICH INSTALLATION METHOD (A) OR (B)
IS MORE SUITABLE FOR YOUR CABINETRY...**

10 RECOMMENDED METHOD (A) - SECURE WITHOUT DRAWER REMOVAL (FRAMELESS CABINETRY ONLY)



10-A ATTACH SIDE MOUNTING BRACKETS

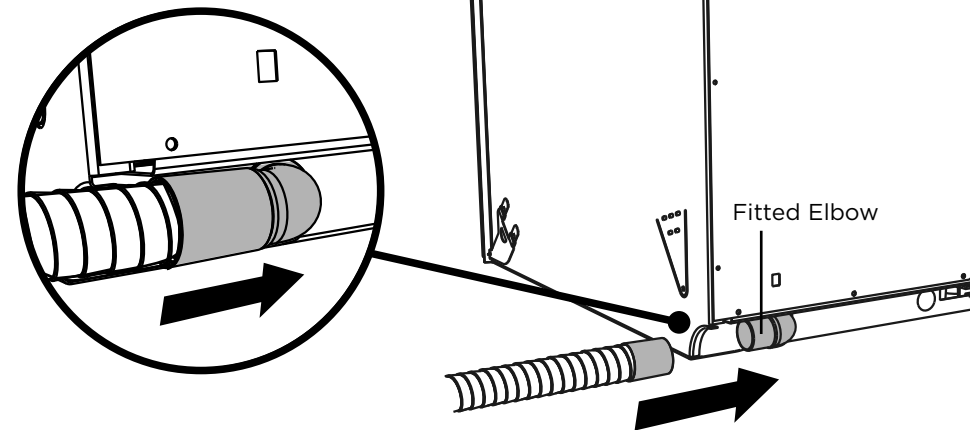
Clip all four side mounting brackets into their slots using a flat-bladed screwdriver. Ensure they're securely fitted before sliding product into cavity.

The mounting slots are in pairs, one on each side diagonally across the product. **A** bracket must match **A** slot and **B** bracket must match **B** slot.

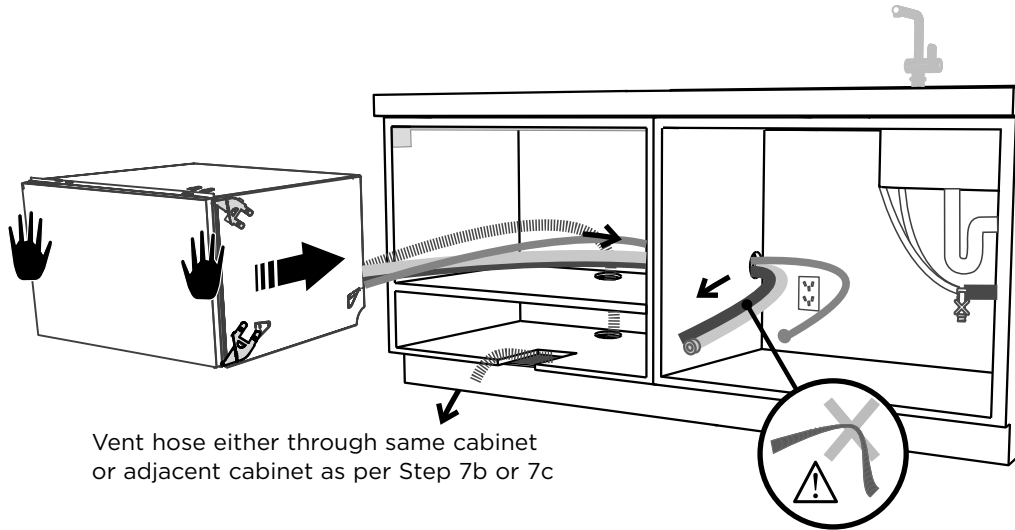
When fitting brackets, ensure the ends are not pushed down into the chassis.

11-A ATTACH VENTING HOSE

Check that the fitted elbow is rotated left or right (depending on the direction of the routing), then ensure the venting hose is securely attached to it.



12-A PULL THROUGH HOSES & MOVE INTO THE CAVITY



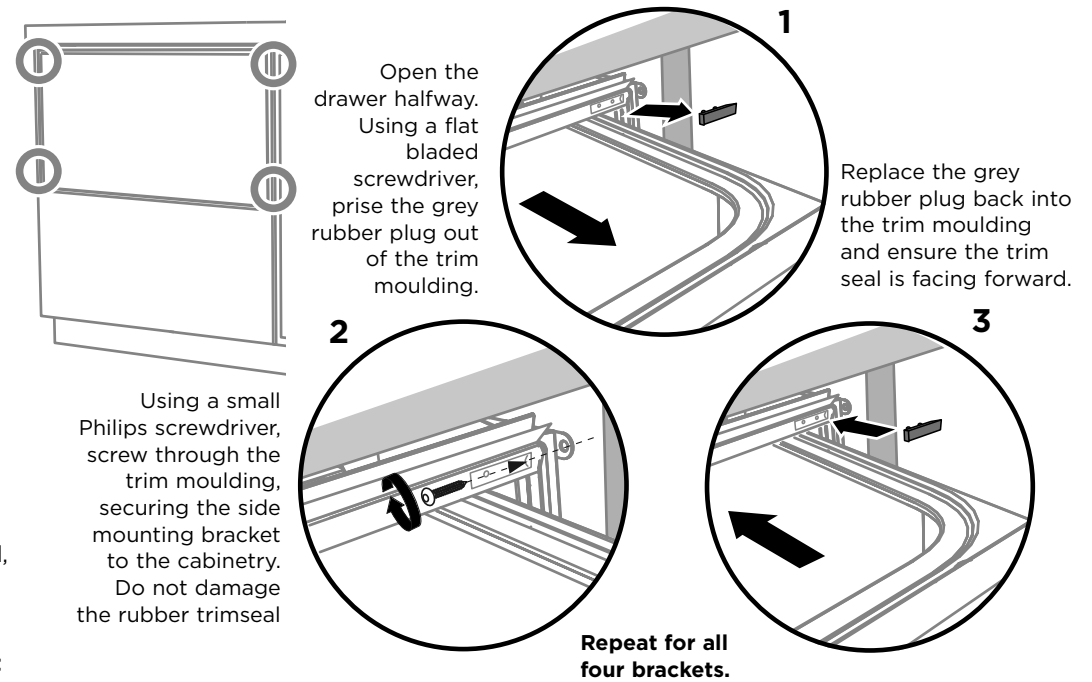
Vent hose either through same cabinet or adjacent cabinet as per Step 7b or 7c

As you push product in, pull through hoses and cord, ensuring they don't get kinked or twisted.

IMPORTANT!

If product cannot be pushed in far enough, pull out again and rearrange hoses and cord. Do not use excessive force, as doing so may squash the hoses and lead to incorrect operation.

13-A SECURE TO THE CABINETRY ON THE SIDES



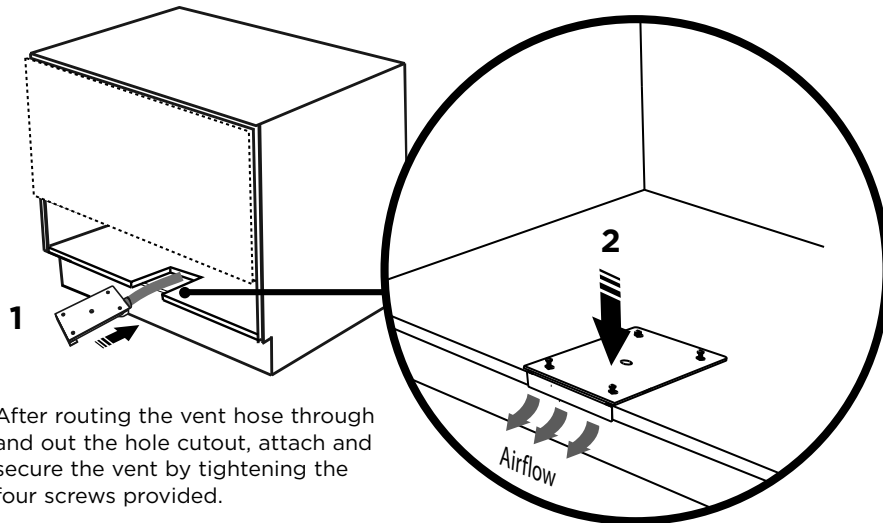
Open the drawer halfway. Using a flat bladed screwdriver, prise the grey rubber plug out of the trim moulding.

Replace the grey rubber plug back into the trim moulding and ensure the trim seal is facing forward.

Using a small Philips screwdriver, screw through the trim moulding, securing the side mounting bracket to the cabinetry. Do not damage the rubber trimseal

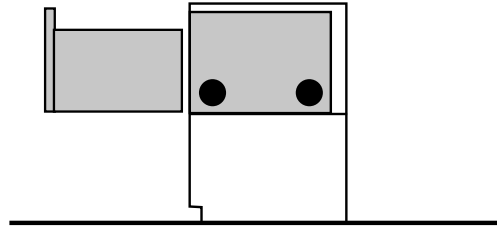
Repeat for all four brackets.

14-A SECURE THE EXTERNAL VENT



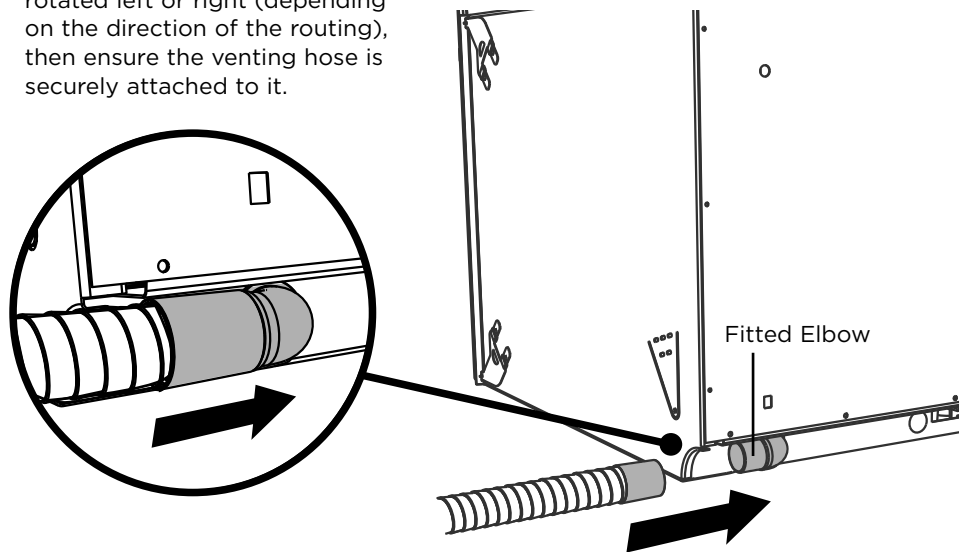
After routing the vent hose through and out the hole cutout, attach and secure the vent by tightening the four screws provided.

10 ALTERNATIVE METHOD (B) - SECURE BY DRAWER REMOVAL

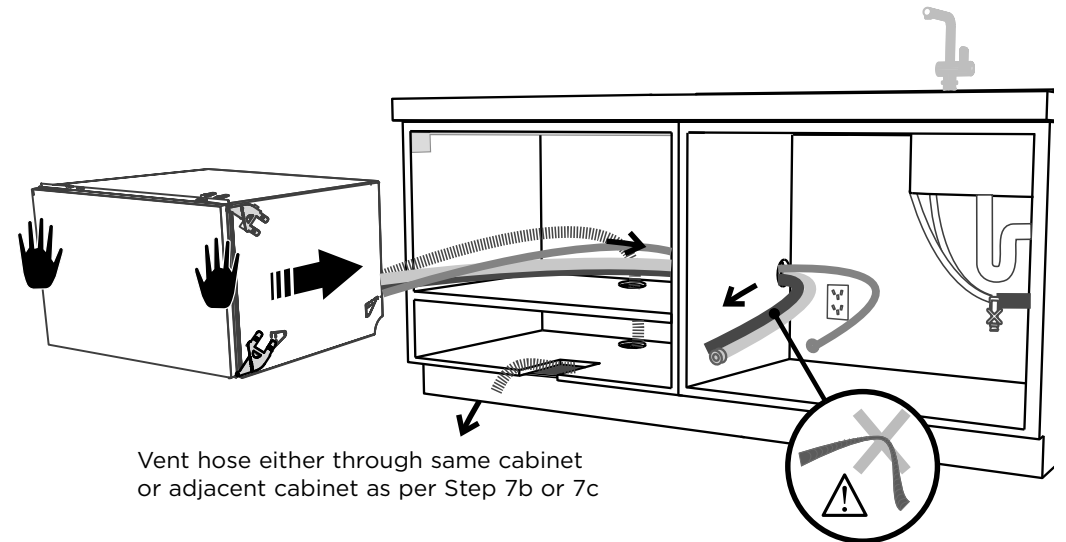


10-A ATTACH VENTING HOSE

Check that the fitted elbow is rotated left or right (depending on the direction of the routing), then ensure the venting hose is securely attached to it.



11-A PULL THROUGH HOSES & MOVE INTO THE CAVITY



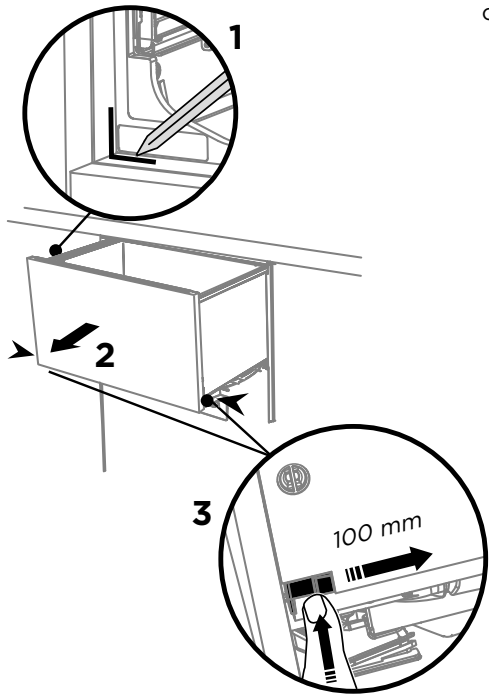
Vent hose either through same cabinet or adjacent cabinet as per Step 7b or 7c

As you push product in, pull through hoses and cord, ensuring they don't get kinked or twisted.

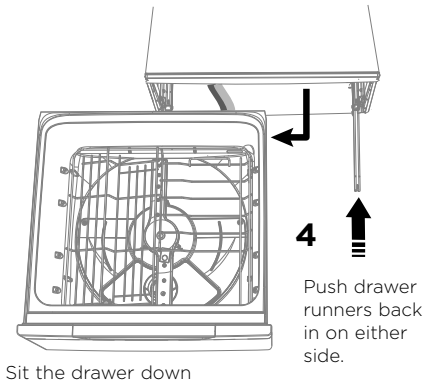
IMPORTANT!
If product cannot be pushed in far enough, pull out again and rearrange hoses and cord. Do not use excessive force, as doing so may squash the hoses and lead to incorrect operation.

12-B REMOVE THE DRAWER

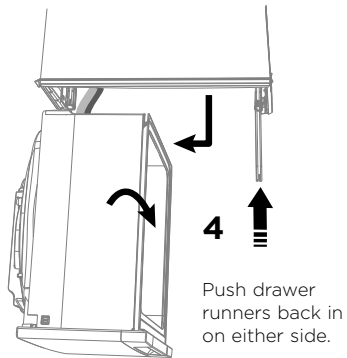
To prevent kinked hoses
Either sit the drawer down on the left hand side (recommended) or rotate the drawer clockwise, resting it on its side after removal.



Press the release tabs in on either side and push back to release drawer from runners.
Lift drawer off runners.



Sit the drawer down

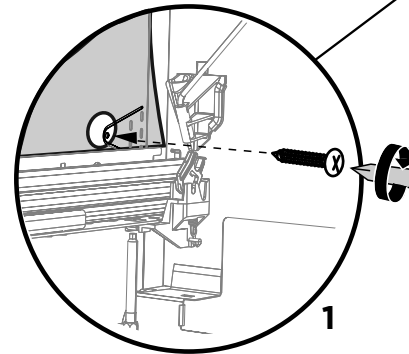


Rotate the drawer clockwise (max. 90°) and rest on side.

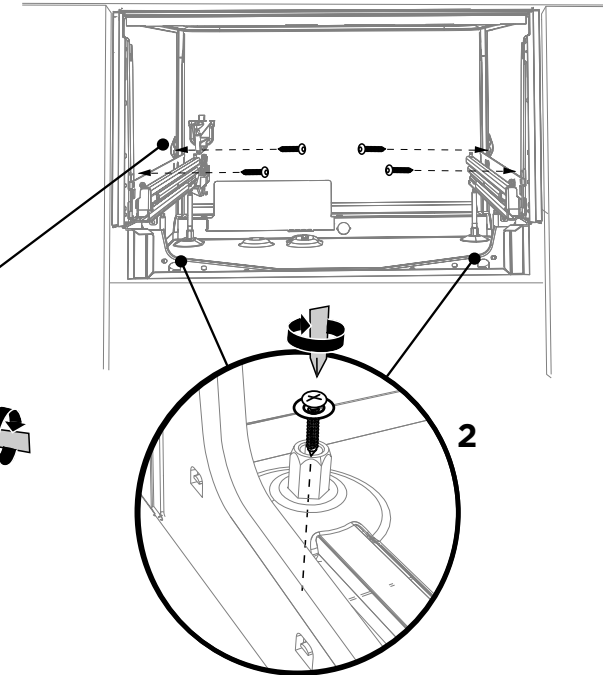
13-B SECURE TO THE CABINETRY ON THE SIDES

The product has three pairs of fixing points:

Ensure the sound insulation is repositioned correctly.

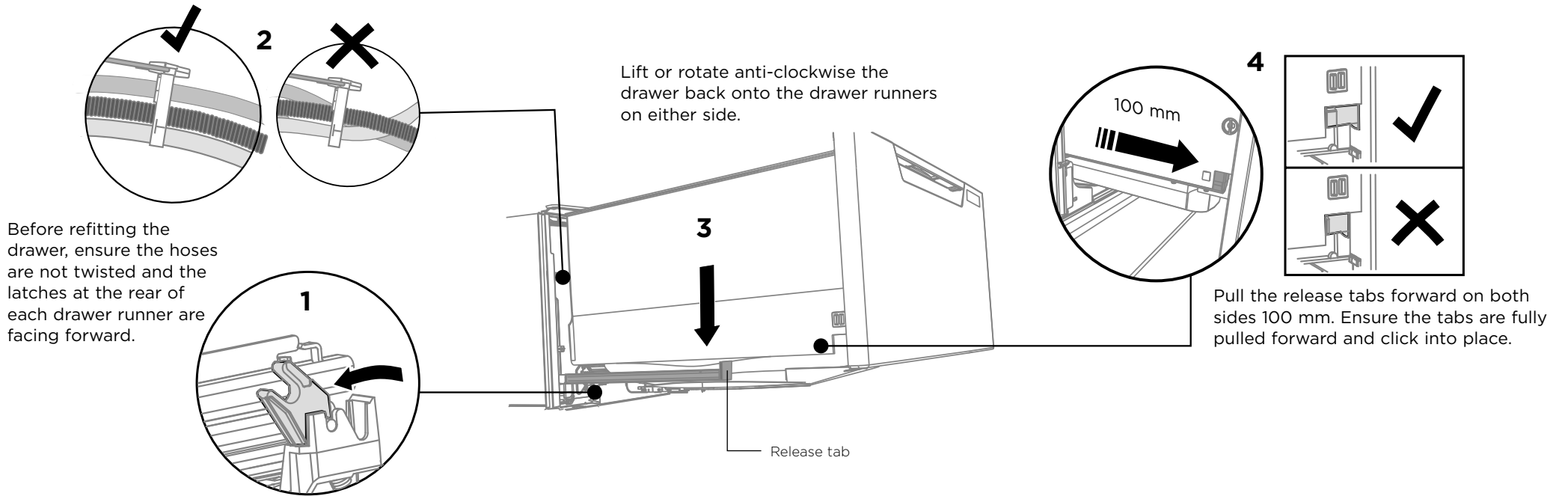


two pairs of formed brackets on either side of the chassis
(use 16 mm screws)

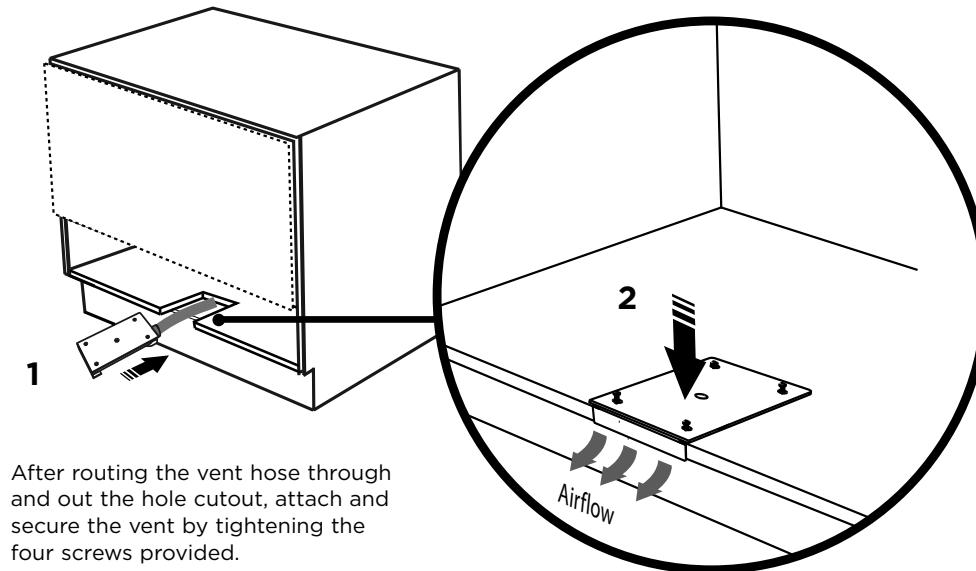


a pair of fixing holes either side on the bottom
(use 38 mm fixing screws & washers)

14-B REFIT THE DRAWER ONTO THE RUNNERS

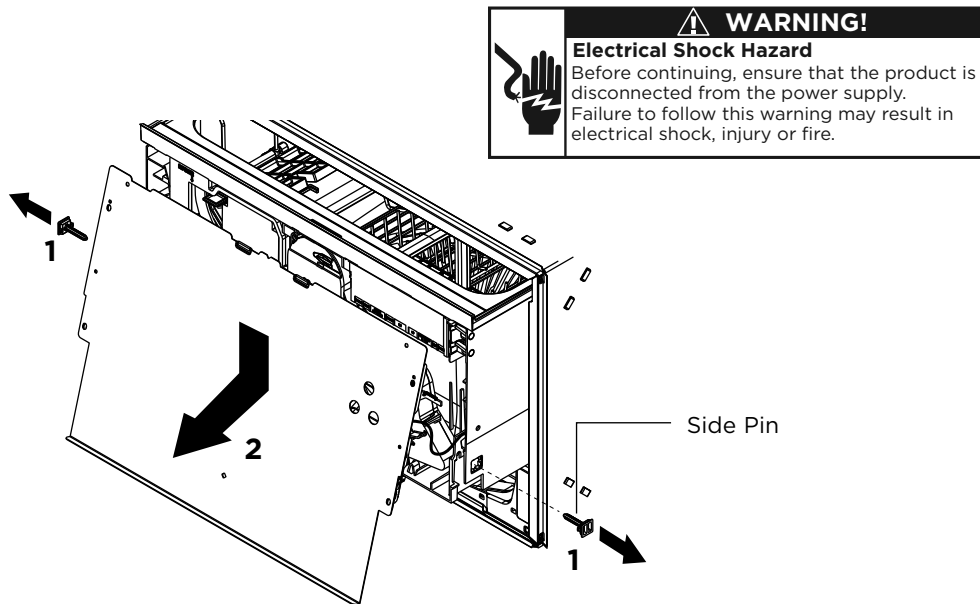


15-B SECURE THE EXTERNAL VENT

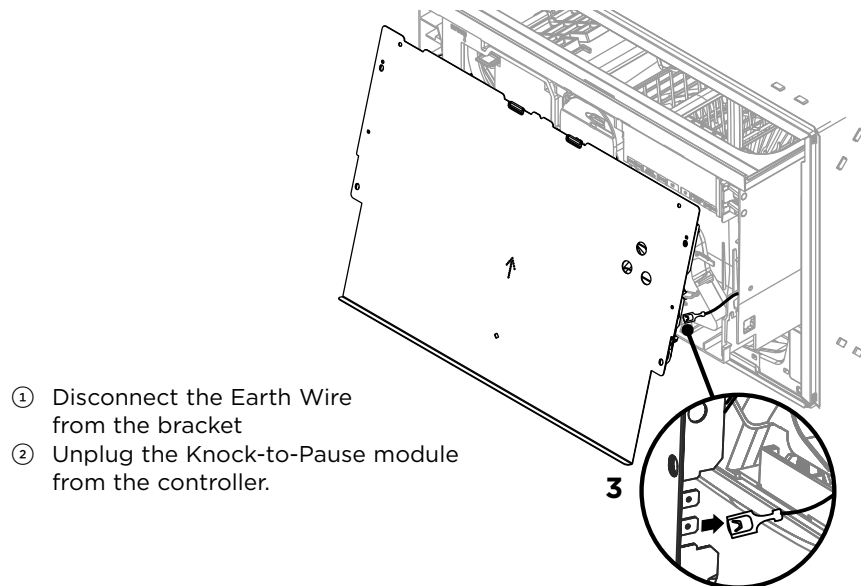


16 INSTALLING A CUSTOM FRONT DRAWER PANEL

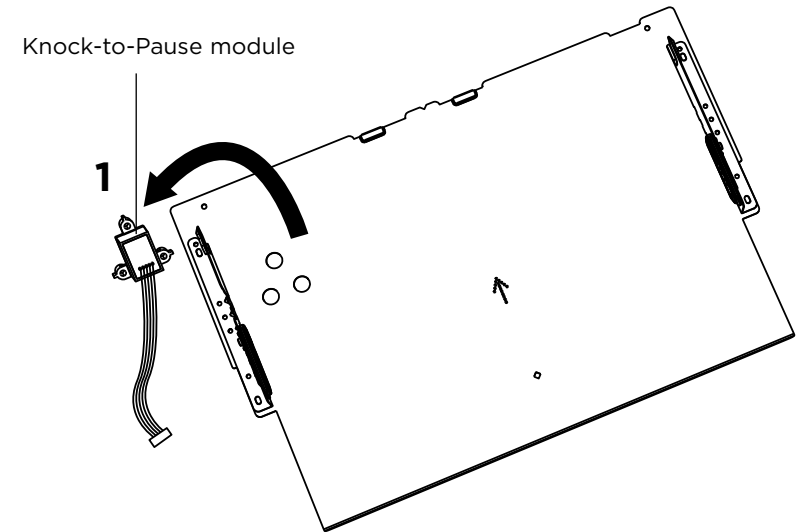
16-A REMOVE PANEL BRACKET FROM PRODUCT



Remove side pins and gently pull off the panel bracket slightly.



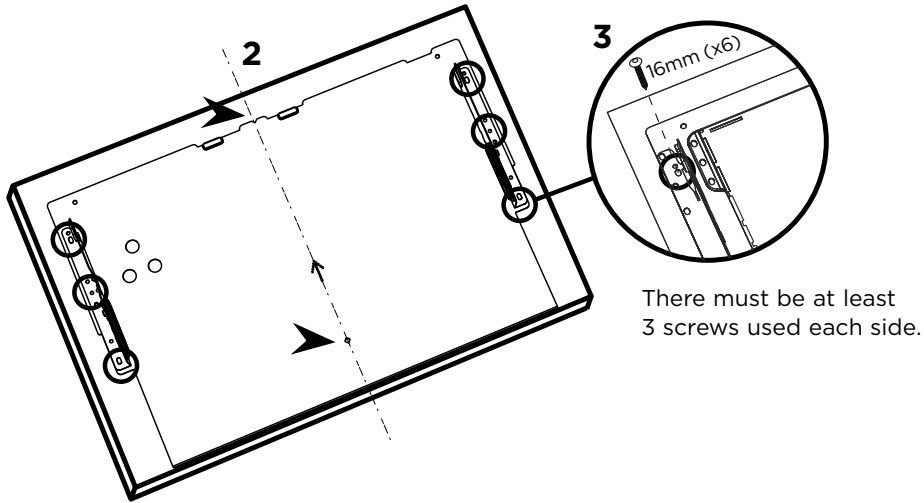
16-B REMOVE THE KNOCK-TO-PAUSE MODULE



Remove the Knock-to-Pause module from the back of the bracket.

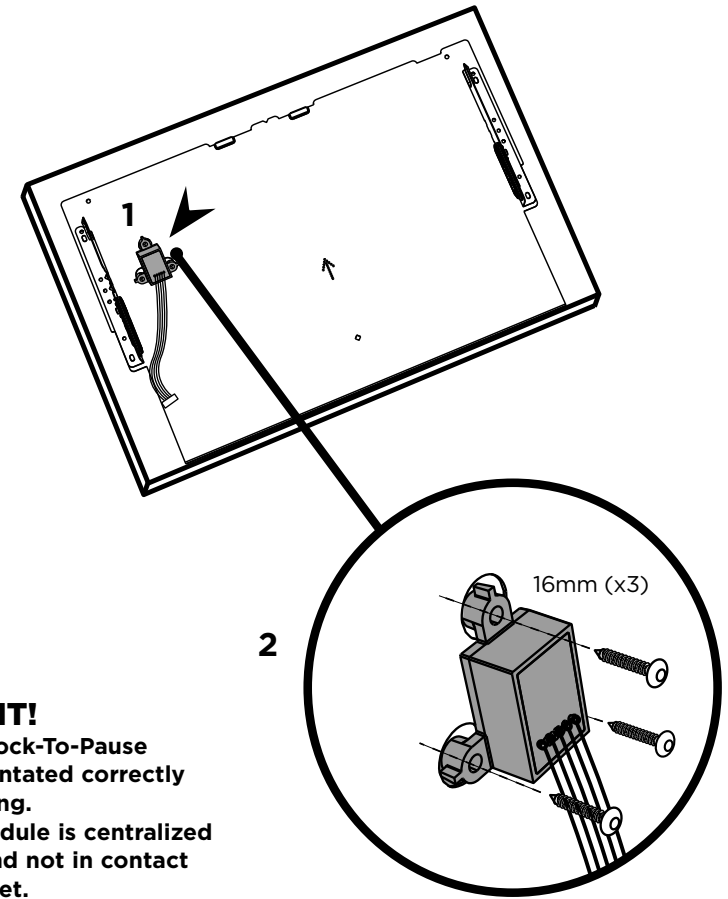
16 INSTALLING CUSTOM FRONT DRAWER PANELS

16-C ATTACH CUSTOM PANELS TO PANEL BRACKETS



Align bottom of each custom panel with the bottom of each bracket.

16-D ATTACH KNOCK-TO-PAUSE MODULE TO CUSTOM PANEL



IMPORTANT!

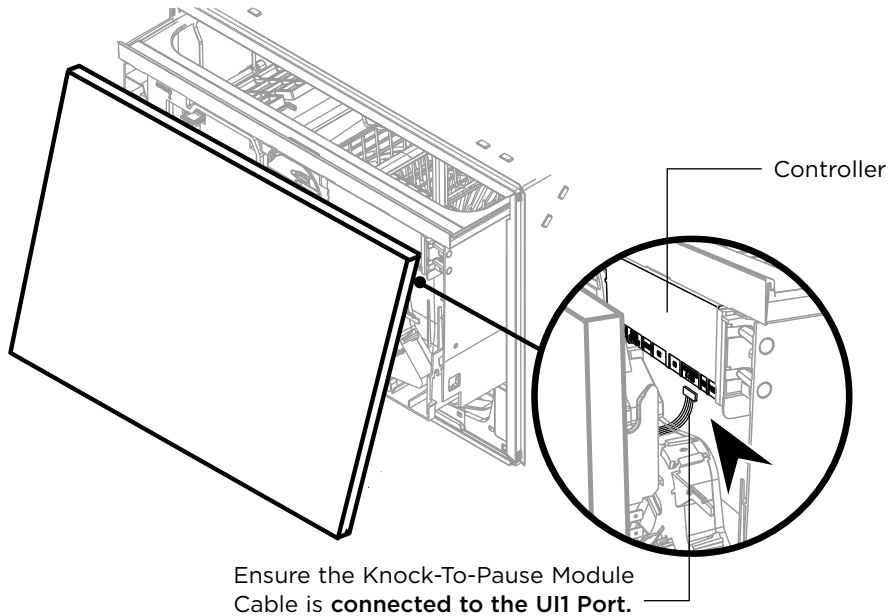
- Ensure the Knock-To-Pause module is orientated correctly before attaching.
- Ensure the module is centralized in the holes and not in contact with the bracket.

Attach the Knock-To-Pause module to the back of the custom panel through the 3 holes cut into the panel bracket as shown.

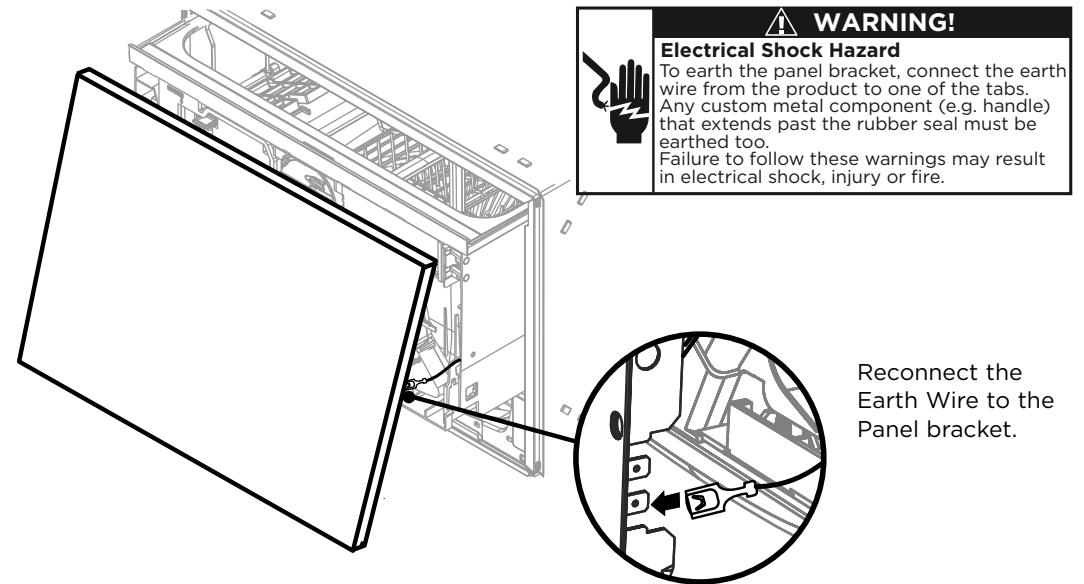
Use all 3 screws provided.

16 INSTALLING CUSTOM FRONT DRAWER PANELS

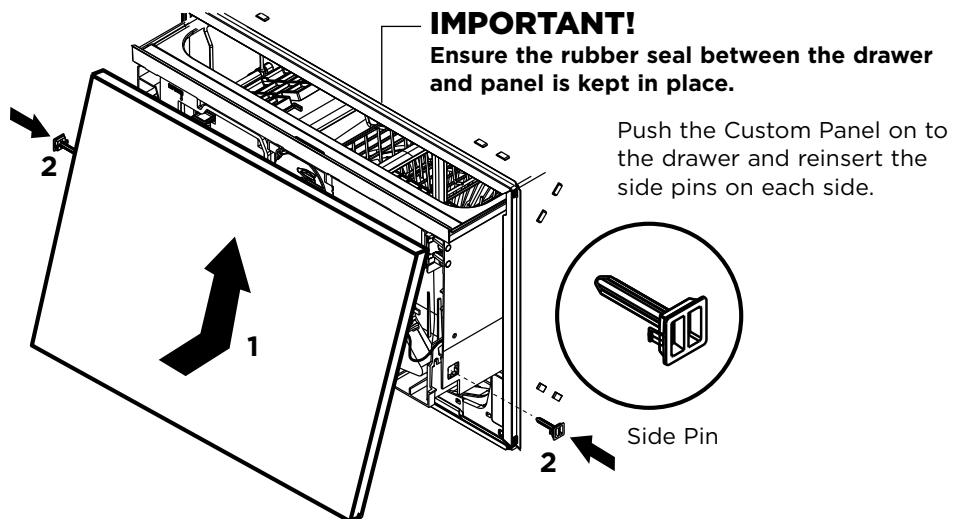
16-E CONNECT THE KNOCK-TO-PAUSE MODULE TO THE CONTROLLER



16-F RECONNECT THE EARTH WIRE TO THE PANEL BRACKET



16-G ATTACH CUSTOM PANEL TO PRODUCT



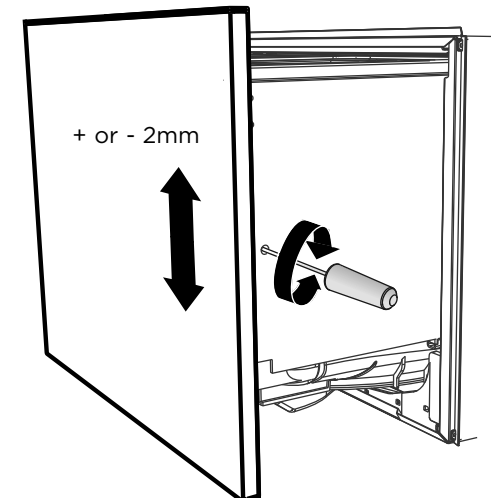
16-H ADJUST CUSTOM PANEL HEIGHT TO ALIGN CABINETRY GAPS

With the front panels fitted, insert an appropriately sized Philips screwdriver into the hole above the side pin and rotate the panels up or down to align the gaps in your cabinetry.

Repeat on the other side if necessary.

Each panel has a maximum travel of 2mm up or down.

IMPORTANT!
 Ensure that you maintain a minimum of 2mm ventilation gap below the panel.

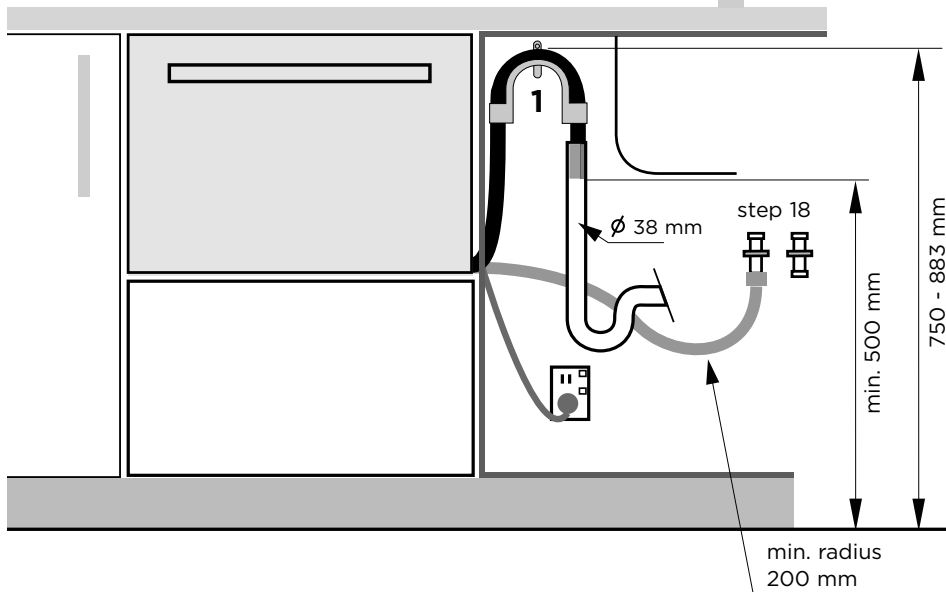
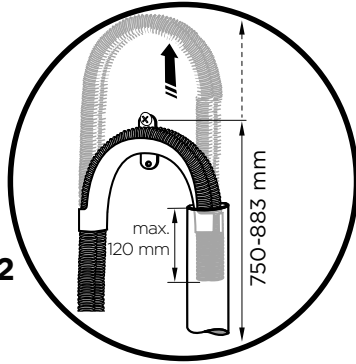


17 THERE ARE TWO DIFFERENT PLUMBING AND DRAINAGE OPTIONS. CHOOSE WHICH IS MORE SUITABLE.

DRAINAGE OPTION 1
Dishwasher and Ø 38 mm Standpipe

Screw Drain hose support to back wall at correct height.

If space is limited for fixing, push hose through drain hose support to required height



IMPORTANT!

Ensure that drain hose is installed as close to the underside of the benchtop as possible. This will ensure no waste re-enters the drain hose in the event of poor flow or a blockage in the plumbing.

Ensure the drain hose does not extend into water retained in the trap; an air gap is required to prevent waste water from siphoning back into the tub.

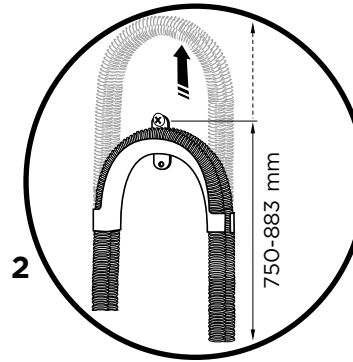
IMPORTANT!

Ensure that drain connection complies with local plumbing regulations.

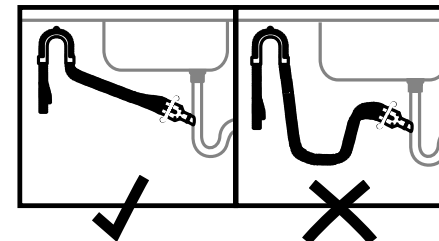
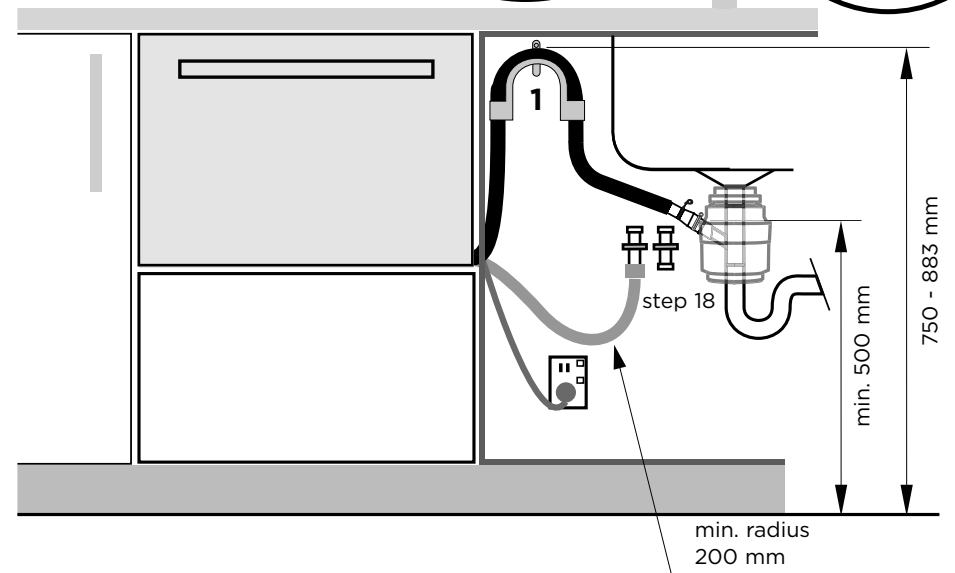
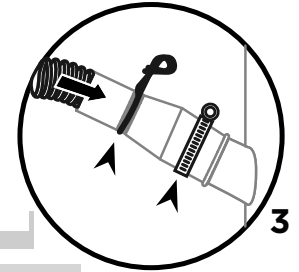
DRAINAGE OPTION 2
Dishwasher using drain hose joiner onto sink trap/waste tee

Screw Drain hose support to back wall at correct height.

If space is limited for fixing, push hose through drain hose support to required height.

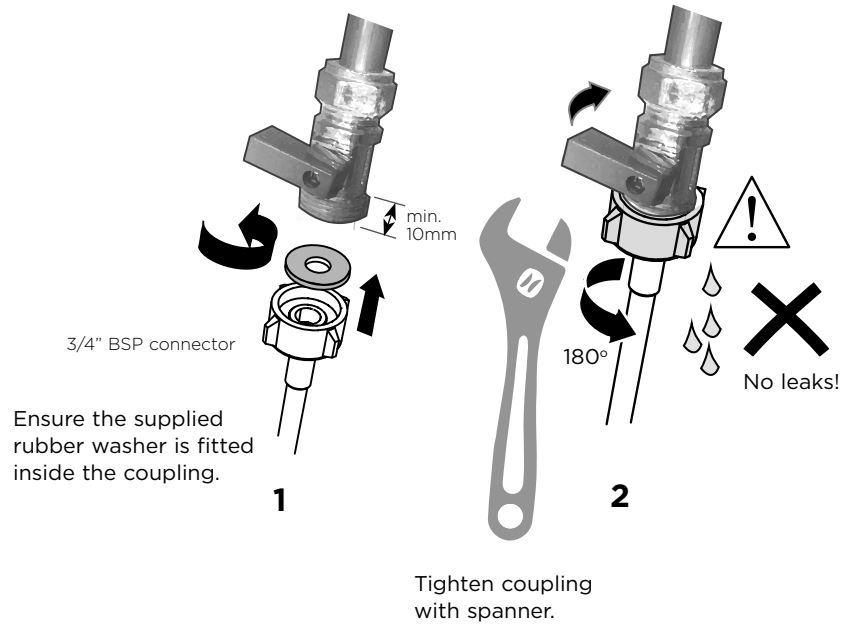


Supplied drain hose joiner to suit 19 mm waste tee

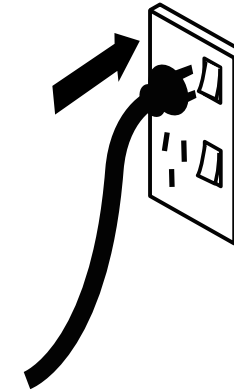


Ensure drain hose is routed straight to the joiner so that waste water does not accumulate in the hose. Remove excess drain hose material if necessary. Do not shorten the inlet hose.

18 CONNECT INLET HOSE TO COLD WATER



19 PLUG PRODUCT IN

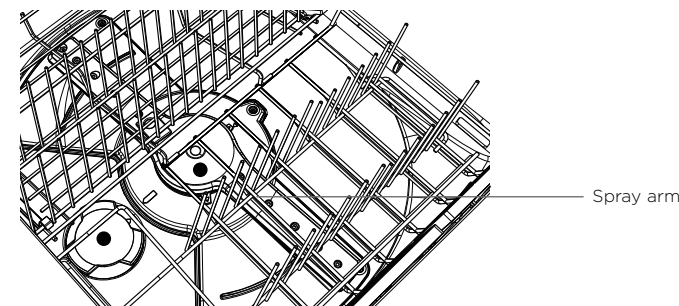


- **Excessive water remaining above the filter plate, after the rinse cycle. (This is displayed as an A3 fault. See user guide 'How to attend to a fault')**
Check for a kinked drain hose, blocked or incorrectly drilled out waste connection, highloop not properly installed, drain hose not routed correctly or spray arm not in place.
- **No water supply. (This is displayed as an A1 fault. See user guide 'How to attend to a fault')**
Check water is connected and turned on.
- **The dishwasher is beeping continuously**
There is a fault. See section 'How to attend to a fault'in the User guide for further information and instructions.
- **No program indicator lights up when the drawer is opened**
Ensure power is connected and is switched on. If it is and still no indicator lights up, see the 'Preference options' section of the 'Quick start guide'.
An option called 'Open drawer auto power-on' may need to be turned on.
- **Water around water supply and drainage connections**
Check connections, existing plumbing and hoses for leaks. Check rubber washer and hose clamp are correctly fitted.
- **If product is tipping**
Ensure the product is secured to the cabinetry.
- **Drawer doesn't close properly**
Ensure nothing is obstructing the drawer from closing properly eg hoses or drawer latches.
- If a problem occurs, consult the 'Troubleshooting' section of the User guide.
- If after checking these points you still need assistance, please refer to the Service & Warranty book for warranty details and your nearest Authorised Service Centre, or contact us through our website, listed below.

✓ **TO BE COMPLETED BY THE INSTALLER**

- Check all parts are installed.
- Ensure that all panels and parts thereof are secure and final electrical tests have been conducted in accordance with local electrical regulations.
- Ensure product is level, securely fastened to the cabinetry and opens and closes freely. The drawers must be free to fully close with no resistance from the cabinetry.
- Ensure inlet hose to water supply has supplied rubber washer fitted, and that it's tightened a further half turn after seal contact.
- Ensure any knockouts or plugs in drain connection have been drilled out and drain connection has been made.
- The drain hose joiner must not support the weight of excess hose material. Keep drain hose as fully extended as possible to prevent sagging. Any excess length of drain hose should be kept on the dishwasher side of the highloop.
- If connecting the drain hose to the sink trap, ensure the Highloop is a minimum 150 mm higher than the drain hose joiner.
- Ensure any packaging or tape securing the racks or spray arms is removed from the drawers.
- Water softener models only: adjust the water softener setting from the default setting to suit the water hardness of the area. See the Quick start guide and section 'Water softener' in the User guide.

- Turn on the power and water supplies, then open the drawer. You should hear a beep and see a program indicator light up on the control panel.
- Check the spray arms are in place, mounted correctly and free to rotate, by physically rotating by hand.



- Add three cups of water into the drawer. Press >> until the indicator of the 'Rinse' program lights up. Close the drawer and press ▶|| to start the program.
- When the test cycle is in process check the knock sensor is working by knocking twice on the door to pause the wash program.
- After the Rinse program has finished, ensure the dishwasher has run and drained correctly.
- Check the water supply has correctly shut off and drainage connection for leakage.

Complete and keep for safe reference:

Model _____

Serial No. _____

Purchase Date _____

Purchaser _____

Dealer Address _____

Installer's Name _____

Installer's Signature _____

Installation Company _____

Installation Date _____

FISHERPAYKEL.COM

Copyright © Fisher & Paykel Appliances 2019. All rights reserved.
 The product specifications in this booklet apply to the specific products and models described at the date of issue. Under our policy of continuous product improvement, these specifications may change at any time. You should therefore check with your Dealer to ensure this booklet correctly describes the product currently available.

